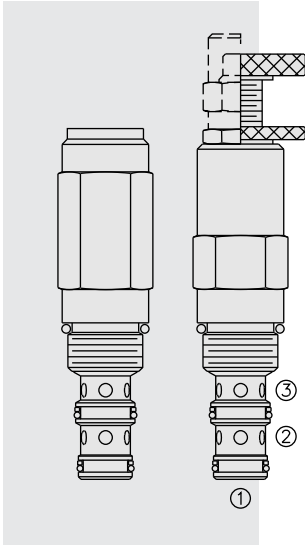


PS10-36 Pilot-Operated Sequence, Internal Pilot,



DESCRIPTION

A screw-in, cartridge-style, pilot-operated, spool-type, hydraulic sequence valve with internal pilot and external spring chamber drain.

OPERATION

In its steady state, the **PS10-36** blocks flow from ① to ②, with the spring chamber drained at ③.
On attainment of a predetermined pressure at ①, the cartridge shifts to open ① to ②.
Note that back-pressure on ③ adds to the spring setting value.

FEATURES

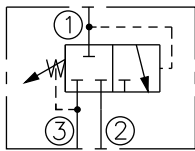
- Adjustments cannot be backed out of the valve.
- Adjustments prohibit springs from going solid.
- Optional spring ranges to 207 bar (3000 psi).
- Hardened spool and cage for long life.
- Industry common cavity.

RATINGS

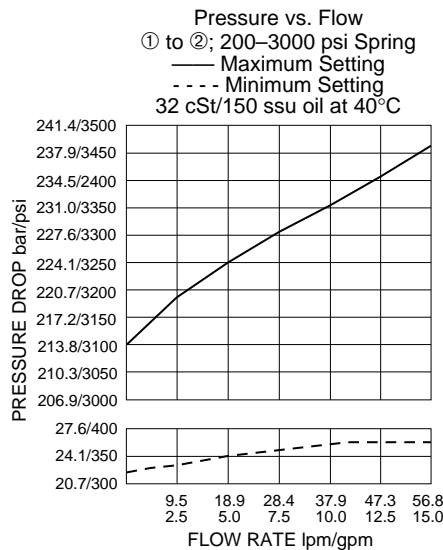
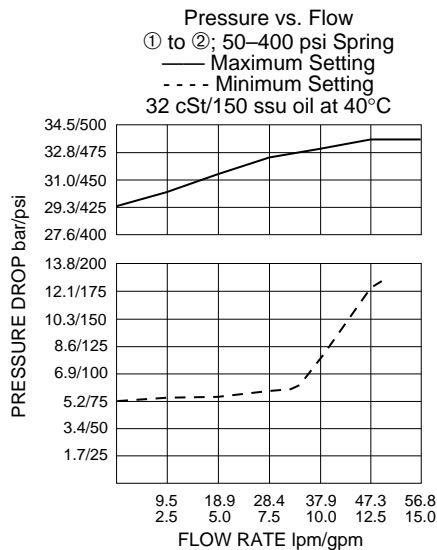
- Operating Pressure:** to 240 bar (3500 psi)
- Sequence Pressure Max.:** to 207 bar (3000 psi)
- Flow:** See Performance Chart
- Internal Leakage:** 82 cc/minute (5 cu. in./minute) max. to 85% of nominal setting
- Pilot Orifice:** Pilot-operated through 0.51 mm (0.02 inch) hole
- Crack Pressure Defined:** bar (psi) evident at 0.95 lpm (0.25 gpm) attained ① to ②
- Standard Spring Ranges:**
 - 5.5 to 27.6 bar (80 to 400 psi)
 - 10.3 to 103.4 bar (150 to 1500 psi)
 - 24.1 to 206.9 bar (350 to 3000 psi)
- Temperature:** -40 to 120°C with standard Buna seals
- Filtration:** See page 9.010.1
- Fluids:** Mineral-based or synthetics with lubricating properties at viscosities of 7.4 to 420 cSt (50 to 2000 sus); See Temperature and Oil Viscosity, page 9.060.1
- Installation:** No restrictions; See page 9.020.1
- Cavity:** VC10-3; See page 9.110.1
- Cavity Tool:** CT10-3XX; See page 8.600.1
- Seal Kit:** SK10-3X-BM; See page 8.650.1

SYMBOLS

USASI/ISO:



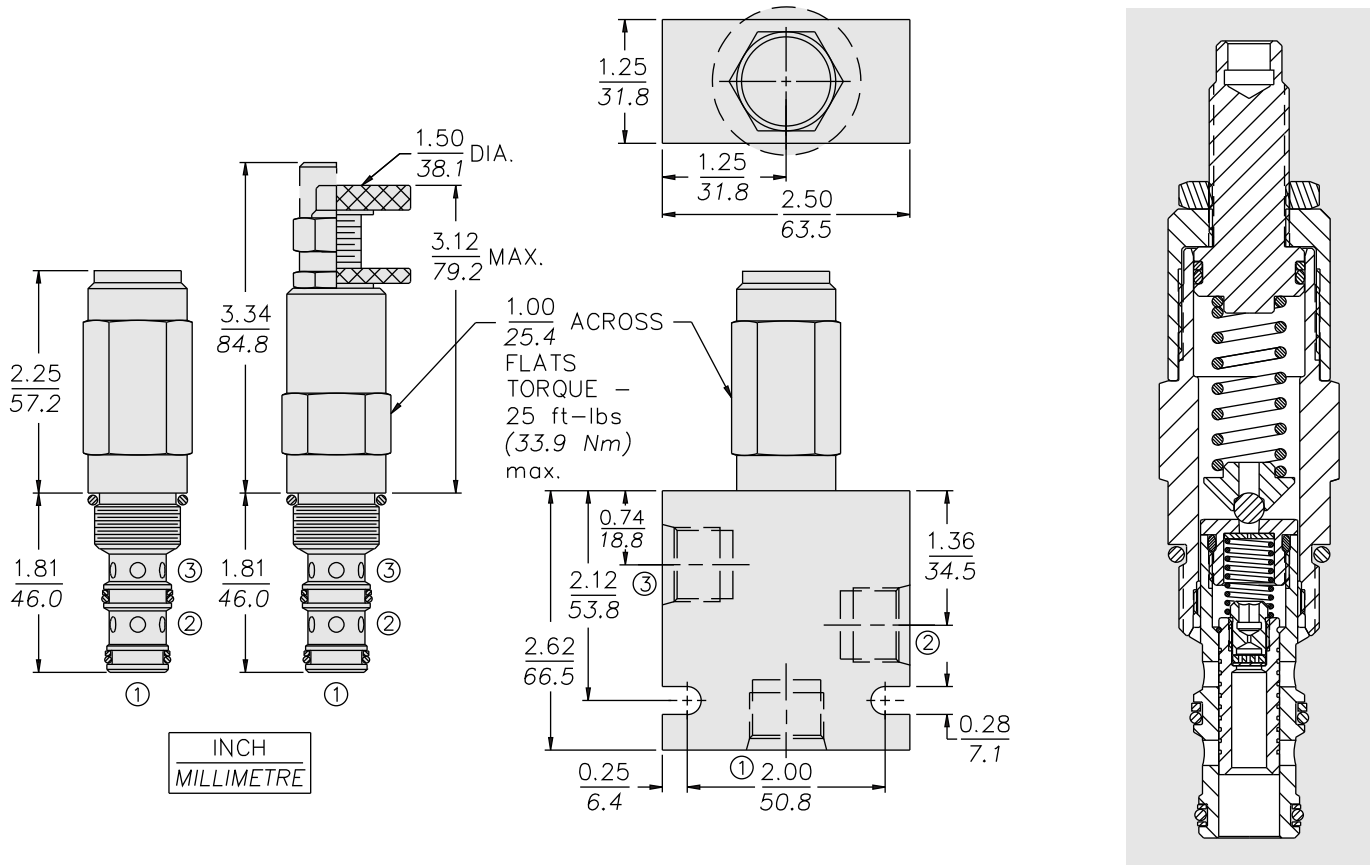
PERFORMANCE (Cartridge Only)



External Drain

PS10-36

DIMENSIONS



MATERIALS

Cartridge: Weight: 0.27 kg. (0.60 lbs.)
 Steel with hardened work surfaces.
 Zinc-plated exposed surfaces.
 Buna N O-rings and polyester elastomer back-ups standard.
 Anodized aluminum knobs and caps.

Standard Ported Body: Weight: 0.36 kg. (0.80 lbs.); Anodized high-strength 6061 T6 aluminum alloy, rated to 207 bar (3000 psi)
 Ductile iron bodies available; dimensions may differ.
 See page 8.010.1.

TO ORDER

PS10-36 - - - /

<p>Adjustment Option</p> <p>1/4 in. Hex Allen Head A 1-1/2 in. Dia. Alum Knob B Option A w/Cover Cap C Factory Preset Non-Adjst. F Factory Preset Hidden Adjustment H Option C w/Lockwire Holes L</p>	<p>Porting</p> <p>Cartridge Only 0 SAE 6 6T SAE 8 8T 1/4 in. BSP* 2B 3/8 in. BSP* 3B</p>	<p>Seals</p> <p>Buna N (Std.) N Fluorocarbon V</p>	<p>Setting in bar[†]</p> <p>(Blank) for Adjustable, or Specify, for example: M25 25 bar M100 100 bar</p> <p>Setting in psi[†]</p> <p>(Blank) for Adjustable, or Specify, for example: 9.0 900 psi 21.0 2100 psi</p>	<p>Spring Range</p> <p>04 5.5 to 27.6 bar (80 to 400 psi) 15 10.3 to 103.4 bar (150 to 1500 psi) 30 24.1 to 206.9 bar (350 to 3000 psi)</p>
---	--	--	---	---

*BSP Body; U.K. Mfr. Only

[†]Adjustable valves will be preset to approx. 50% of spring max. potential.