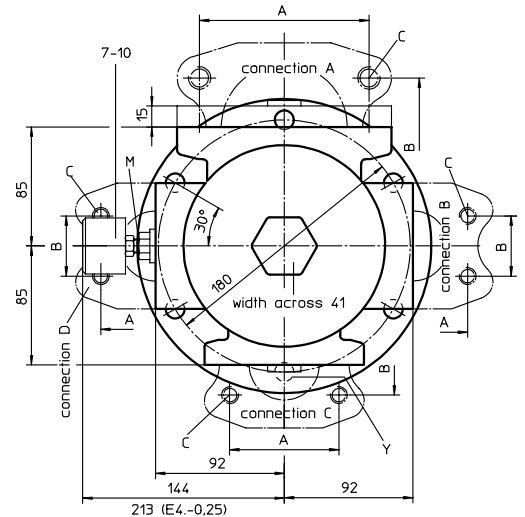
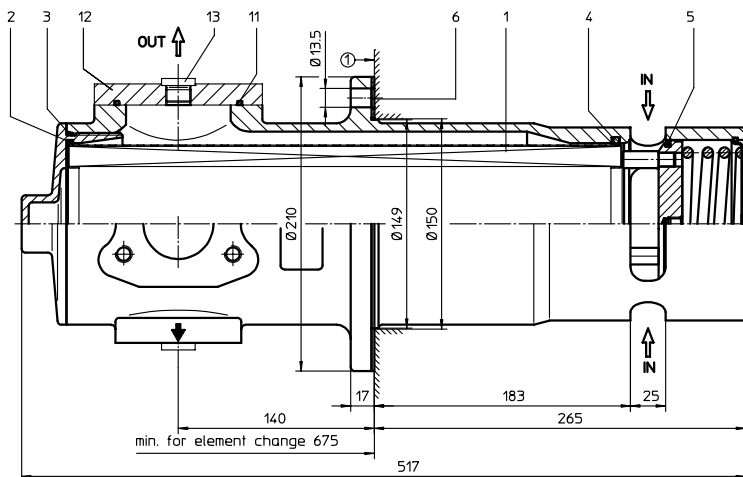


# SUCTION FILTER

## Series AS 632 DN 50 - 90

Sheet No.  
**1909 F**



### 1. Type index:

#### 1.1. Complete filter: (ordering example)

**AS. 632. 40G. - . B. P. - . FS. 11. - . O1**

|   |   |   |   |   |   |   |   |   |    |    |
|---|---|---|---|---|---|---|---|---|----|----|
| 1 | 2 | 3 | 4 | 5 | 6 | 7 | 8 | 9 | 10 | 11 |
|---|---|---|---|---|---|---|---|---|----|----|

- 1 **series:**  
AS = suction filter
- 2 **nominal size:** 632
- 3 **filter-material and filter-fineness:**  
80 G= 80 µm, 40 G= 40 µm stainless steel wire mesh, other materials on request
- 4 **resistance of pressure difference for filter element:**  
- = not specified
- 5 **filter element design:**  
B = both sides open
- 6 **sealing material:**  
P = Nitrile (NBR); V = Viton (FPM)
- 7 **filter element specification:**  
- = standard; VA = stainless steel
- 8 **connection:**  
FS = SAE-flange connection 3000 PSI
- 9 **no. of version:**

| version             | 1       | 5  | 6  | 10 | 11 | 12 | 14 | 21 |
|---------------------|---------|----|----|----|----|----|----|----|
| <b>connection A</b> | type XY | XY | XY | FS | FS | FS | -  | FS |
|                     | size    |    |    | A1 | A1 | A1 |    | A  |
| <b>connection B</b> | type Y  | M  | M  | FS | FS | -  | FS | Y  |
|                     | size    |    |    | 8  | 9  |    | 8  | 8  |
| <b>connection C</b> | type FS | FS | FS | Y  | Y  | Y  | FS | Y  |
|                     | size    | 8  | 9  | 9  |    |    | 8  |    |
| <b>connection D</b> | type FS | FS | -  | Y  | M  | M  | FS | FS |
|                     | size    | 8  | 9  |    |    |    | 8  | 8  |

type: FS = SAE-flange 3000 PSI  
M = adapter M18 x 1,5 - R 1/8  
Y = drain M18 x 1,5  
X = adapter SAE 3" - M18 x 1,5  
- = no connection

size: 8 = 2"  
9 = 2 1/2"  
A = 3"  
A1 = 3 1/2"

#### 10 filter housing specification:

- = standard

#### 11 clogging indicator:

- = without  
O1 = visual, see sheet-no. 1616  
E4.-0,25 = pressure switch, see sheet-no. 1616

#### 1.2. Filter element: (ordering example)

**01AS. 631. 40G - . B - . -**

|   |   |   |   |   |   |   |
|---|---|---|---|---|---|---|
| 1 | 2 | 3 | 4 | 5 | 6 | 7 |
|---|---|---|---|---|---|---|

- 1 **series:**  
01AS. = suction filter element according to INTERNORMEN factory specification
- 2 **nominal size:** 631
- 3 - 5, 7 see type index-complete filter
- 6 **sealing material:**  
- = without

### 2. Dimensions:

| connection size | 2"           | 2 1/2"       | 3"           | 3 1/2"       |
|-----------------|--------------|--------------|--------------|--------------|
| dimension A     | 78           | 89           | 106,4        | 121          |
| dimension B     | 43           | 51           | 62           | 70           |
| thread C        | M12, 18 deep | M12, 18 deep | M16, 22 deep | M16, 22 deep |

### 3. Accessories:

- counter flange, see sheet-no. 1652

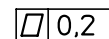
mounting area



surface quality



flatness tolerance



weight: approx. 12 kg

Changes of measures and design are subject to alteration!

EDV 11/07

**internormen**  
technology

Friedensstrasse 41, 68804 Altlusheim, Germany

phone +49 - (0)6205 - 2094-0  
fax +49 - (0)6205 - 2094-40

e-mail sales@internormen.com  
url www.internormen.com



## 4. Spare parts:

| item | qty. | designation                    | dimension     | article-no.  |              |
|------|------|--------------------------------|---------------|--------------|--------------|
| 1    | 1    | filter element                 | 01AS.631      |              |              |
| 2    | 1    | O-ring                         | 115 x 3       | 303963 (NBR) | 307762 (FPM) |
| 3    | 1    | O-ring                         | 125 x 3       | 306025 (NBR) | 307358 (FPM) |
| 4    | 1    | O-ring                         | 115 x 5       | 306640 (NBR) | 310287 (FPM) |
| 5    | 1    | O-ring                         | 104,37 x 3,53 | 304339 (NBR) | 304390 (FPM) |
| 6    | 1    | gasket                         | 2 thick       | 305160       |              |
| 7    | 1    | adapter M18 x 1,5 - R 1/8      | 30505-4       | 317114       |              |
| 8    | 2    | gasket                         | A18 x 24x1,5  | 305136       |              |
| 9    | 1    | clogging indicator, visual     | O1            | 301722       |              |
| 10   | 1    | clogging indicator, electrical | E4.-0,25      | 301725       |              |
| 11   | 1    | O-ring                         | 85,32 x 3,53  | 305590 (NBR) | 306308 (FPM) |
| 12   | 1    | adapter SAE 3" - M18 x 1,5     | 30294-3       | 317048       |              |
| 13   | 1    | screw plug                     | M18 x 1,5     | 305193       |              |

## 5. Description:

The filter element consists of a star-shaped pleated filter material which is supported on the inside by a perforated core tube and is bonded to the end caps.

INTERNORMEN-Filter elements are known as elements with a high intrinsic stability and an excellent filtration capability, a high dirt-retaining capacity and a long service life.

The AS-filters are horizontally or vertically mounted to the reservoir and connected directly to the suction-line.

Due to its practical design the suction filter is easy to service. When releasing the filter lid a plate valve closes the suction-inlet of the filter and prevents the return flow of dirt oil to the reservoir, respectively when mounted horizontally the flow out of the reservoir is prevented.

After the servicing respectively after changing the element the filter is again ready for operation.

According to the operating condition the filter could be equipped with different accessories (clogging indicators, counter flange etc.).

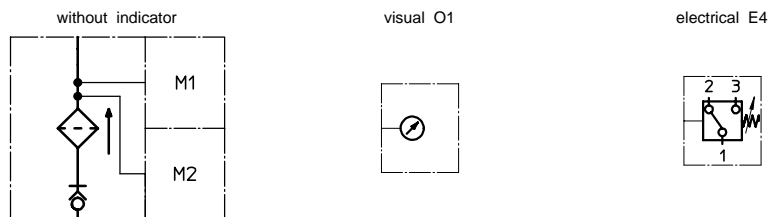
## 6. Technical data:

|                              |   |
|------------------------------|---|
| temperature range:           | -10°C to + 80°C (for a short time + 100°C)  |
| connection system:           | SAE-flange connection 3000 PSI  |
| installation position:       | optional  |
| housing material:            | G-AISI10Mg wa DIN 1725 (3.2381.61)  |
| sealing material:            | Nitrile (NBR) or Viton (FPM), other materials on request  |
| usable for following fluids: | petroleum-based fluids, lubrication fluids;<br>HW-emulsions and synthetic hydraulic fluids on request |
| volume tank:                 | 6,3 l   |

Classified under the Pressure Equipment Directive 97/23/EC for mineral oil (fluid group 2), Article 3, Para. 3.

Classified under ATEX Directive 94/9/EC according to specific application (see questionnaire sheet-no. 34279-4).

## 7. Symbols:



## 8. Pressure drop flow curves:

Precise flow rates see 'INT-Expert-System Filter', respectively  $\Delta p$ -curves; depending on filter fineness and viscosity.

## 9. Test methods:

Filter elements are tested according to the following ISO standards:

|           |   |
|-----------|---|
| ISO 2941  | Verification of collapse/burst resistance               |
| ISO 2942  | Verification of fabrication integrity                   |
| ISO 2943  | Verification of material compatibility with fluids      |
| ISO 3723  | Method for end load test                                |
| ISO 3724  | Verification of flow fatigue characteristics            |
| ISO 3968  | Evaluation of pressure drop versus flow characteristics |
| ISO 16889 | Multi-pass method for evaluating filtration performance |