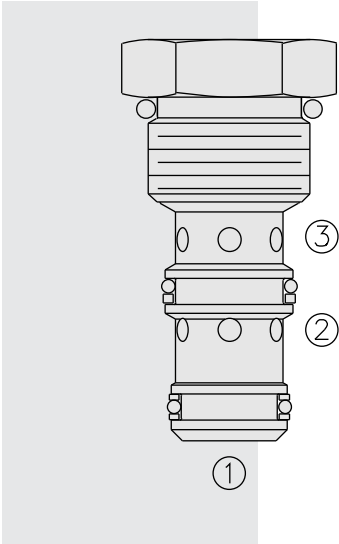


PC10-32 Check, Pilot-to-Open, 2:1 Pilot Ratio



DESCRIPTION

A screw-in, cartridge-style, pilot-operated, hydraulic check valve for use in blocking or load-holding circuits.

OPERATION

The **PC10-32** allows flow passage from ② to ③, while normally blocking flow from ③ to ②. Flow will be allowed from ③ to ② when pressure is applied at ①.

The cartridge has a 2:1 pilot ratio, meaning that at least one-half of the load pressure held at ③ is required at ① to open the valve.

The check is spring-biased to assure holding in static or no-load conditions. A sealed pilot piston option is available.

FEATURES

- Hardened seat for long life and low leakage.
- Optional sealed piston.
- Industry common cavity.

RATINGS

Operating Pressure: 240 bar (3500 psi)

Flow: See Performance Chart

Internal Leakage:

- ③ to ②: 0.25 cc/minute (5 drops/minute) max. at 240 bar (3500 psi)
- ② to ① (without sealed piston): 115 cc/minute (7 cu. in./minute) max. at 240 bar (3500 psi)

Pilot Ratio: 2:1

Check Bias Spring: 2.07 bar (30 psi);
With sealed piston option: 6.9 bar (100 psi) minimum

Temperature: -40 to 120°C with standard Buna seals

Filtration: See page 9.010.1

Fluids: Mineral-based or synthetics with lubricating properties at viscosities of 7.4 to 420 cSt (50 to 2000 sus); See Temperature and Oil Viscosity, page 9.060.1

Installation: No restrictions; See page 9.020.1

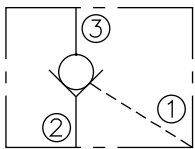
Cavity: VC10-3; See page 9.110.1

Cavity Tool: CT10-3XX; See page 8.600.1

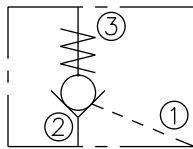
Seal Kit: SK10-3X-TM; See page 8.650.1

SYMBOLS

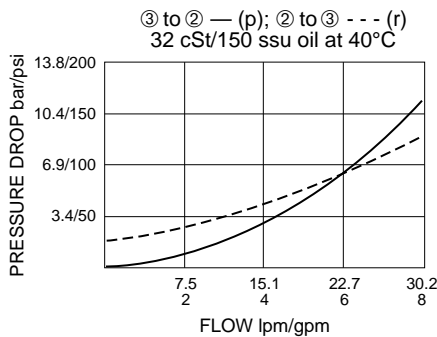
USASI:



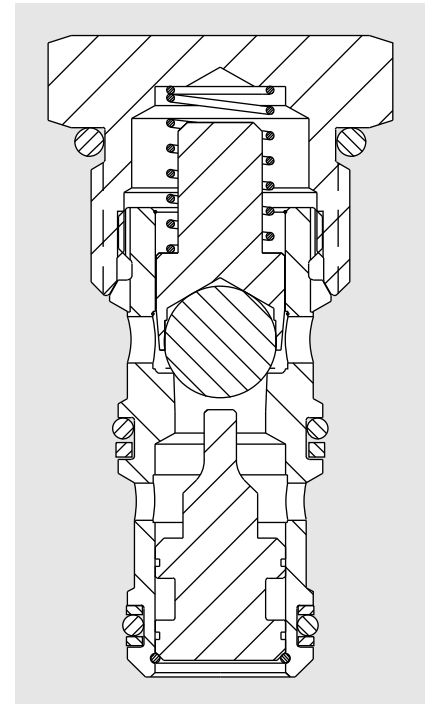
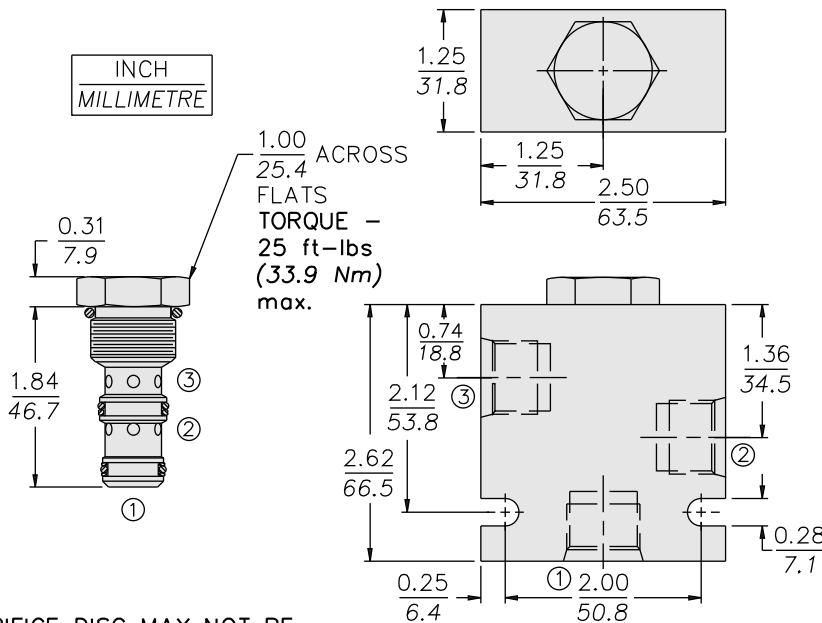
ISO:



PERFORMANCE (Cartridge Only)



DIMENSIONS



ORIFICE DISC MAY NOT BE USED WITH THIS PRODUCT.

MATERIALS

Cartridge: Weight: 0.09 kg. (0.20 lbs.)
Steel with hardened work surfaces.
Zinc-plated exposed surfaces.
Buna N O-rings and polyester elastomer back-ups standard.

Standard Ported Body: Weight: 0.36 kg. (0.80 lbs.) Anodized high-strength 6061 T6 aluminum alloy, rated to 207 bar (3000 psi). Ductile iron bodies available; dimensions may differ. See page 8.010.1

TO ORDER

PC10-32 - - -

- Porting**
Cartridge Only **0**
SAE 6 **6T**
SAE 8 **8T**
1/4 in. BSP* **2B**
3/8 in. BSP* **3B**

- Bias Spring**
30 2.1 bar/30 psi
100 6.9 bar/100 psi

Note: Non-standard bias spring pressures available for OEM applications. Consult factory.

*BSP Body; U.K. Mfr. Only

- Seals**
N Buna N (Std.)
2.07 bar (30 psi) spring
NS Buna N with Sealed Piston
6.9 bar (100 psi) spring minimum
V Fluorocarbon
2.07 bar (30 psi) spring
VS Fluorocarbon with Sealed Piston
6.9 bar (100 psi) spring minimum